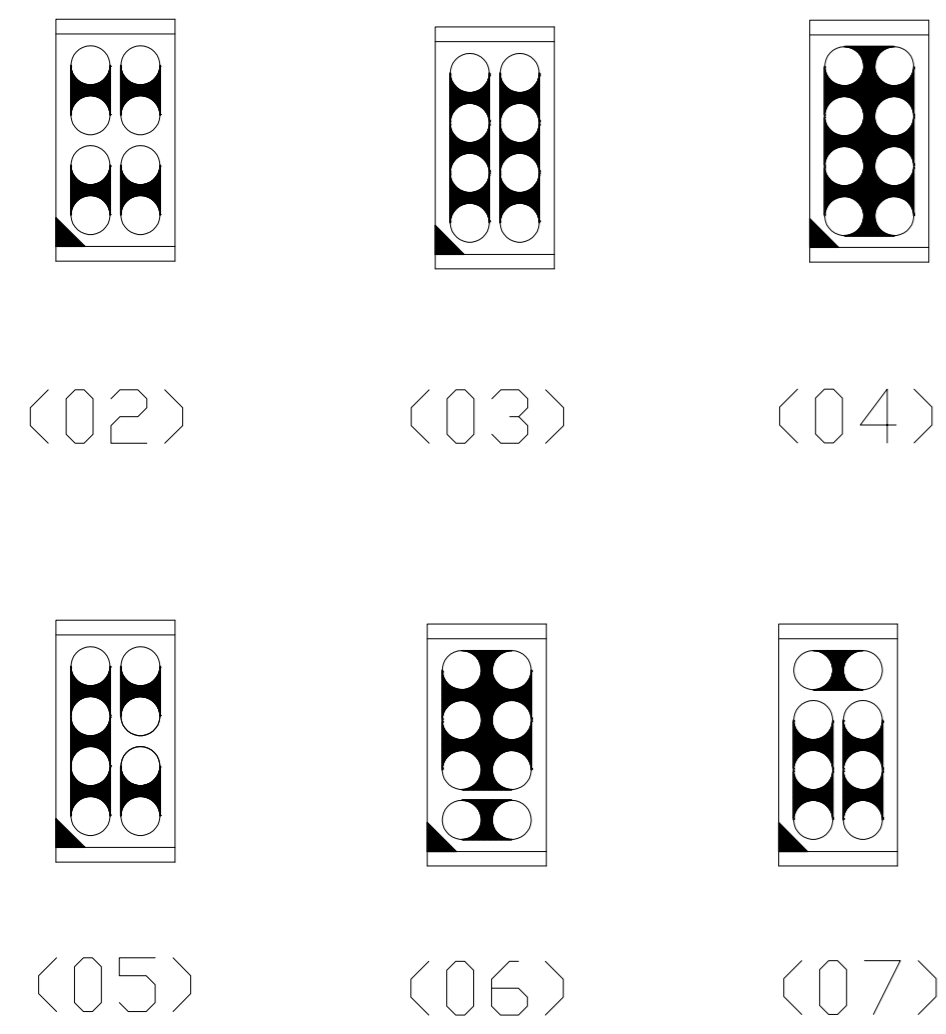
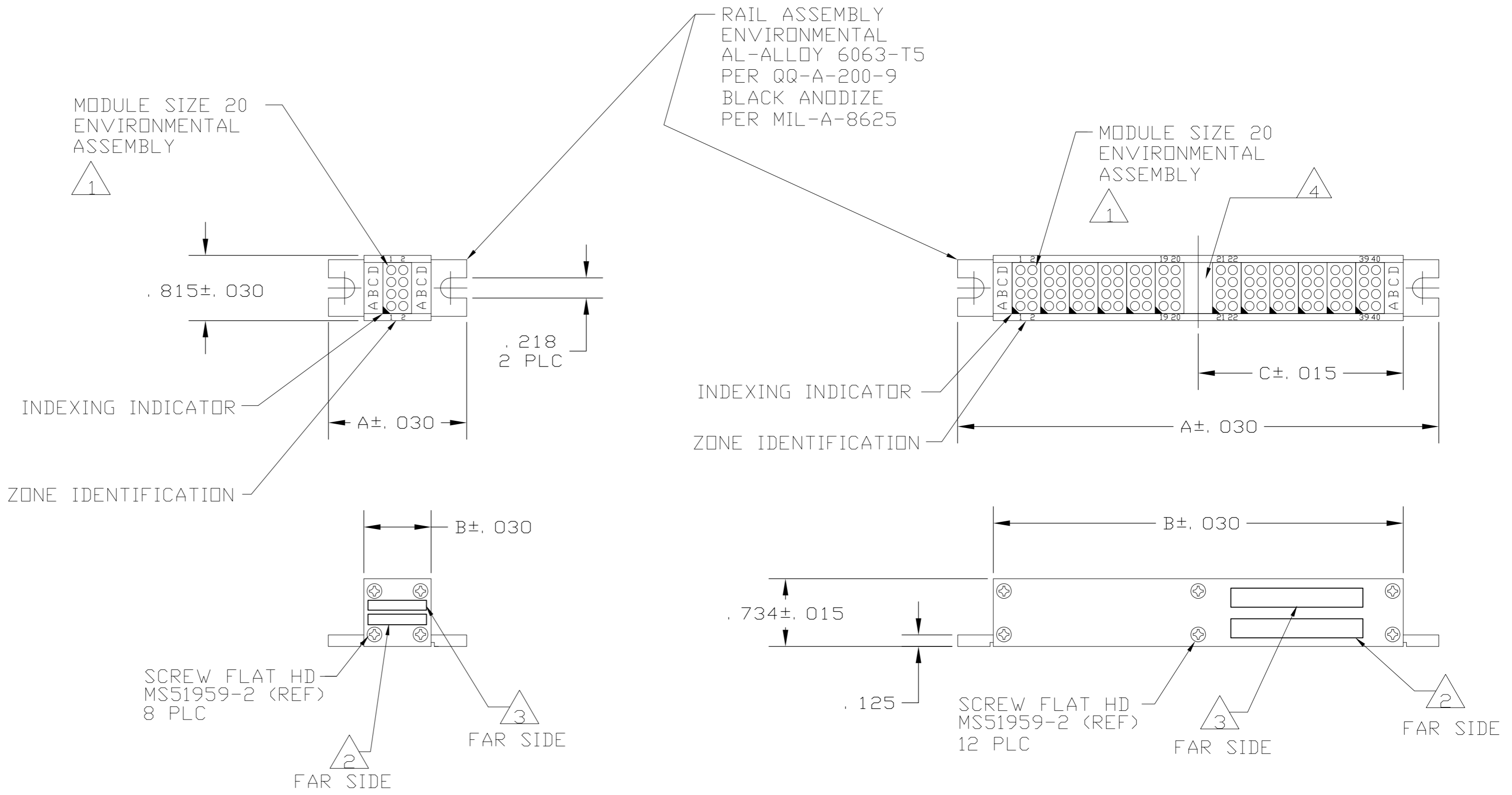


LDC		DIST		REVISIONS			
P	LTR	DESCRIPTION	DATE	DWN	APVD		
DF	AO						
	A	REV PER ECO-07-026787	16NOV07	PY	DE		



BUSSING ARRANGEMENTS



- 5. PART NUMBERS THAT DO NOT CONTAIN MODULES ARE RAIL KITS AND ARE NOT ASSEMBLED
- 4. RAIL ASSEMBLIES WITH TWELVE MODULE ASSEMBLIES OR MORE CONTAIN TIE BLOCK INSERT AT CENTER.
- 3. MARK RAIL IDENTIFICATION, "AMP", AMP PART NO. AND DATE CODE .060 MINIMUM HIGH CHARACTERS AT APPROXIMATE AREA SHOWN.
- 2. MARK CUSTOMER PART NO. IF REQUIRED .060 MINIMUM HIGH CHARACTERS AT APPROXIMATE AREA SHOWN.
- 1. MODULE ASSEMBLIES ARE ORIENTATED AS SHOWN FROM LOCATION NO. 1 ON RAIL ASSEMBLY.

THIS DRAWING IS A CONTROLLED DOCUMENT.		DWN	N. FRITZ	9-12-93	Tyco Electronics Corporation Harrisburg, PA 17105-3608		
DIMENSIONS INCHES		CHK	R. RYAN	9-13-93	NAME RAIL, FEED-BACK, SIZE 20, ENVIRONMENTAL, 1 ROW, TJ ASSY		
TOLERANCES UNLESS OTHERWISE SPECIFIED:		APVD	R. RYAN	9-13-93	SIZE	CAGE CODE	DRAWING NO
0 PLC	± -	PRODUCT SPEC			A2	00779	C=591651
1 PLC	± -	APPLICATION SPEC			SCALE	1:1	SHEET 1 of 2
2 PLC	± -						REV A
3 PLC	± .005						
4 PLC	± -						
ANGLES	± -						
FINISH	-						
MATERIAL	-	WEIGHT	-				
		CUSTOMER DRAWING					

THIS DRAWING IS UNPUBLISHED. RELEASED FOR PUBLICATION
 © COPYRIGHT BY TYCO ELECTRONICS CORPORATION. ALL RIGHTS RESERVED.

LOC		DIST		REVISIONS			
P	LTR	DESCRIPTION	DATE	DWN	APVD		
		SEE SHEET 1					

ITEM NO	DESCRIPTION	QTY	UNIT	PRICE	AMOUNT	DATE	REV
ST194H037	(07)	1		.705	1.450	4-591651-1	
SM-C-920523	(04)	8		2.875	3.620	4-591651-0	
	(04)(04)(04)(03)(04)(03)(05)(06)(02)(02) TIE BLOCK (02)(02)(02)(02)(02)(02)(02)(02)(07)(07)	20		3.452	6.905	7.650	3-591651-7
	(02)	20		3.452	6.905	7.650	3-591651-6
		20		3.452	6.905	7.650	3-591651-5
	(03)	16		2.832	5.665	6.410	3-591651-4
		16		2.832	5.665	6.410	3-591651-3
	(04)	14		2.522	5.045	5.790	3-591651-2
		14		2.522	5.045	5.790	3-591651-1
	(02)	12		2.212	4.425	5.170	3-591651-0
		12		2.212	4.425	5.170	2-591651-9
	(05)(05)(07)(02)(02)(02)(02)(07)(03)(03)(05)	11		3.805	4.550	2-591651-8	
	(04)	10		3.495	4.240	2-591651-7	
	(04)(04)(04)(04)(04)(04)(03)(03)(03)(03)	10		3.495	4.240	2-591651-6	
		10		3.495	4.240	2-591651-5	
	(04)	8		2.875	3.620	2-591651-4	
	(02)	8		2.875	3.620	2-591651-3	
CH128475	(02)(03)(06)(07)(07)(03)(03)	7		2.565	3.310	2-591651-2	
	(02)	7		2.565	3.310	2-591651-1	
		7		2.565	3.310	2-591651-0	
	(02)(02)(02)(02)(06)(06)	6		2.255	3.000	1-591651-9	
	(04)(04)(03)(03)(02)(02)	6		2.255	3.000	1-591651-8	
	(04)(04)(04)(04)(04)(07)	6		2.255	3.000	1-591651-7	
	(04)	6		2.255	3.000	1-591651-6	
	(02)	6		2.255	3.000	1-591651-5	
		6		2.255	3.000	1-591651-4	
	(02)(02)(02)(07)(07)	5		1.945	2.690	1-591651-3	
		5		1.945	2.690	1-591651-2	
	(04)	4		1.635	2.380	1-591651-1	
	(02)	4		1.635	2.380	1-591651-0	
	(04)(04)(05)	3		1.325	2.070	591651-9	
	(02)	3		1.325	2.070	591651-8	
	(02)(05)	2		1.015	1.760	591651-7	
	(04)(03)	2		1.015	1.760	591651-6	
	(04)	2		1.015	1.760	591651-5	
	(02)	2		1.015	1.760	591651-4	
	(07)	1		.705	1.450	591651-3	
	(04)	1		.705	1.450	591651-2	
	(02)	1		.705	1.450	591651-1	

MARKING  BUSSING ARRANGEMENT  NUMBER OF MODULES DIM. C DIM. B DIM. A PART NO

THIS DRAWING IS A CONTROLLED DOCUMENT.		DWN N.FRITZ 9-12-93	Tyco Electronics Corporation Harrisburg, PA 17105-3608	
DIMENSIONS: INCHES		CHK R.RYAN 9-13-93	NAME RAIL,FEED-BACK,SIZE 20,ENVIRONMENTAL, 1 ROW,TJ ASSY	
TOLERANCES UNLESS OTHERWISE SPECIFIED: 0 PLC ± - 1 PLC ± - 2 PLC ± - 3 PLC ± .005 4 PLC ± - ANGLES ± -		APVD R.RYAN 9-13-93	RESTRICTED TO	
MATERIAL		PRODUCT SPEC	SIZE A2	CAGE CODE 00779
FINISH		APPLICATION SPEC	DRAWING NO C=591651	SCALE 1:1
		WEIGHT	SHEET 2 of 2	REV A
		CUSTOMER DRAWING		